
**KIT PART NUMBER 6730044
INSTRUCTIONS FOR INSTALLING A
BREWER HEATER IN A 673 230V MERCHANDISER**

CHECK THE PARTS RECEIVED IN THE KIT WITH THE PARTS LIST IN THESE INSTRUCTIONS. IF ANY PARTS ARE MISSING, CONTACT THE NATIONAL VENDORS PARTS DEPARTMENT IMMEDIATELY.

Read these instructions carefully before installing the kit.
Keep these instructions for part numbers and for future reference.

This kit contains the following :

PART NUMBER	DESCRIPTION	QUANTITY
1451097	SCREW - #8-32X.31 HEX HD.TF - BLACK	3
4027053	SCREW - GATE STOP	2
6231188	LABEL - CAUTION - HOT SURFACE	1
6730032	TEMPLATE #1 - HEATER MOUNTING	1
6730027	TEMPLATE #2 - BREWER COVER	1
6730045	KIT INSTRUCTIONS - BREWER HEATER INSTALLATION	1
6734129	HEATER ASSEMBLY - BREWER	1
6734112	COVER - BREWER	1

WARNING - Electrical Shock Hazard - Unplug machine power cord at wall receptacle before starting. Failure to do so could result in fatal electrical shock.

1. Remove the brewer (leave the brewer drive assembly and filter paper assembly).
2. Remove the Shield - Water - Brewer (6731008) (see Figure 1 below).

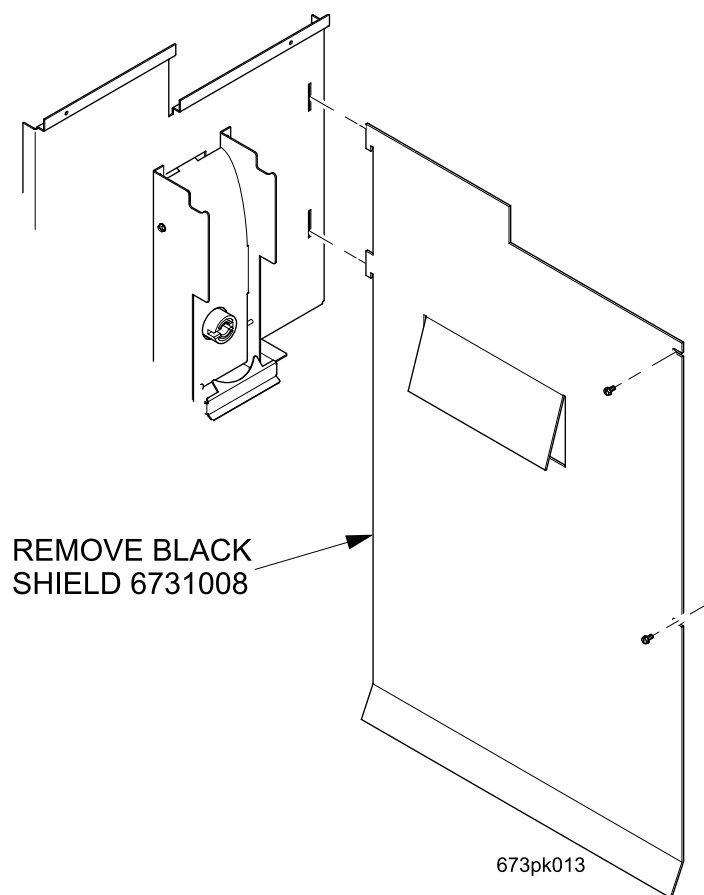


Figure 1

3. Cut along the edges of Template #1 - Heater Mounting (6730032) as indicated. Cut out the rectangular slots for aligning the template on the brewer mounting plate where indicated.
4. Carefully line up Template #1 as indicated on the template and tape in place. Using a .141" bit, drill three holes indicated on the template. Remove the template.

-
5. Using the three (1451097) screws provided, affix the Heater Assembly - Brewer (6734129) to where the holes were drilled. Make sure that no harnesses become pinched between the heater assembly and the side of the merchandiser.

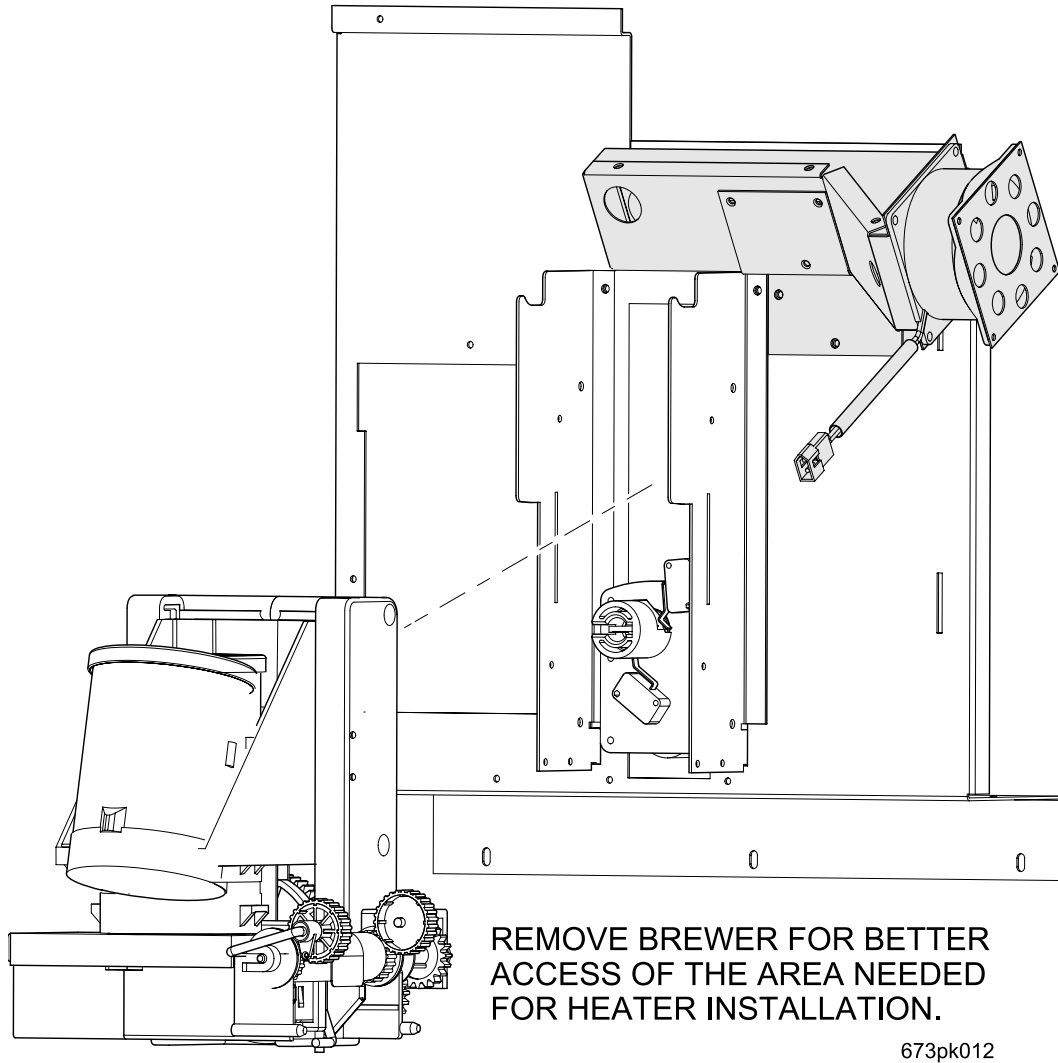


Figure 2

-
6. Remove the screws holding the Bracket - Switch Interlock (1579010) in place. Plug the harness from the brewer heater into the unused harness connection in the door interlock.

Note: If your merchandiser has the optional fan, there will be one unused harness connection, otherwise there will be two--if there are two unused harness connections, you can use either.

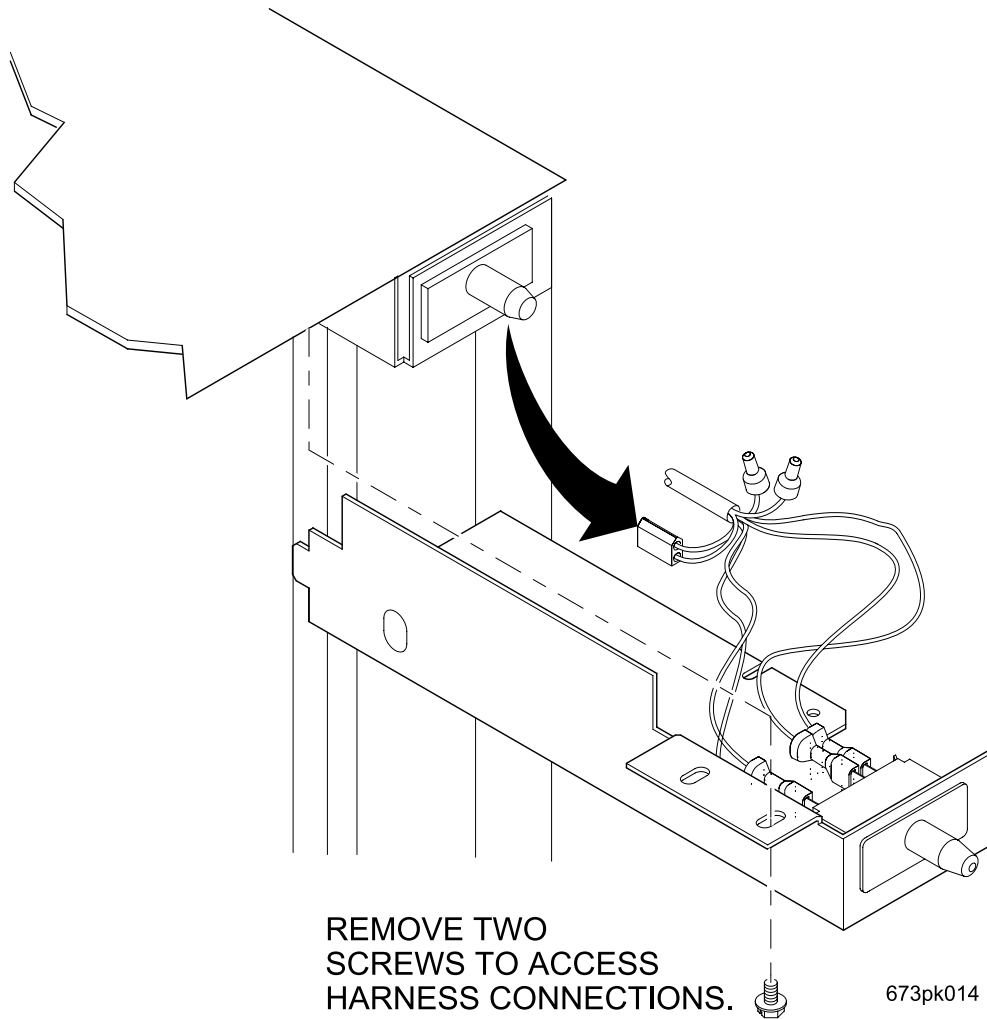


Figure 3

7. Re-install the screws holding the Switch Interlock Bracket in place.

-
8. Line up Template #2 - Brewer Cover (6730027) on the Channel Assembly - Canister Support as indicated on the template. Drill two holes using a .141" drill bit where indicated and remove the template.

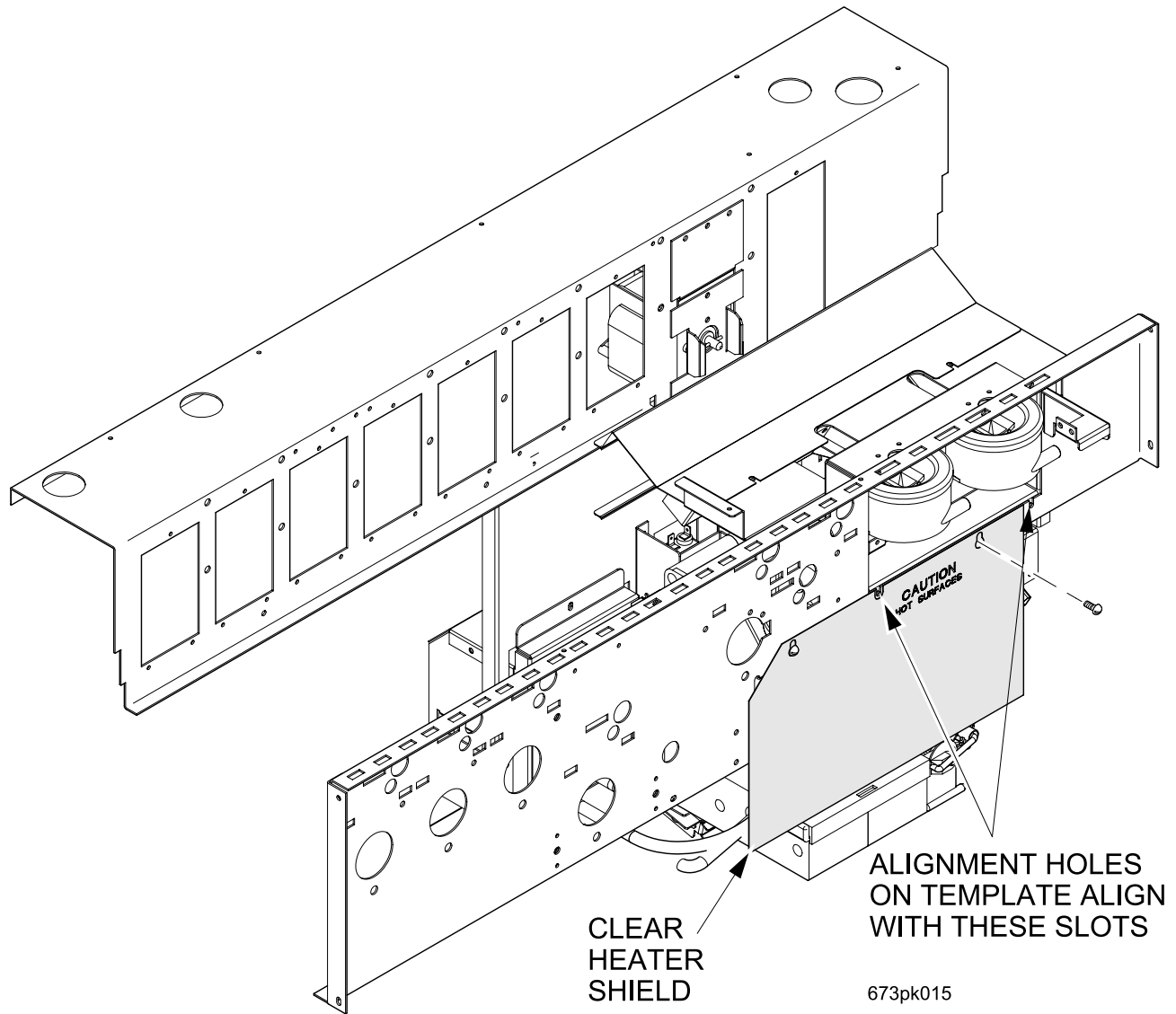







Figure 4

Caution

Be careful to not drill into the harness behind the shelf.

9. Replace the Shield - Water - Brewer (6731008) removed in step 3.
10. Reinstall the brewer.
11. Affix the Cover - Brewer (6734112) using the 2 screws (4027053) provided in the holes drilled in step 10.
12. Test the brewer heater assembly by plugging in the merchandiser and pushing in the door interlock switch. You should hear the heater fan start, and after a minute or two, you should feel warm air come through the hose.

-
13. Check the tubes from the condiment mixing bowl to the nozzle and the water valve to the pre-infusion mixing bowl for traps. If these tubes are too long, they can form a trap that could contribute to the low first-cup temperature. If a tube has a trap, snip off a short length to remove the slack.
14. If your merchandiser vends 8 oz selections or smaller, you must adjust the air time:
- Press , then  until *SETUP -- #* displays.
 - Press A.
 - Press  until the displays shows *AIR. A XX.XX*.
 - XX.XX is the current air compressor/pump time for the A selection. If the A selection is 8 oz. or smaller, add 6 seconds to XX.XX.
 - Press  or  to cycle through all selections. Add six seconds to any selection using an 8 oz cup or smaller.